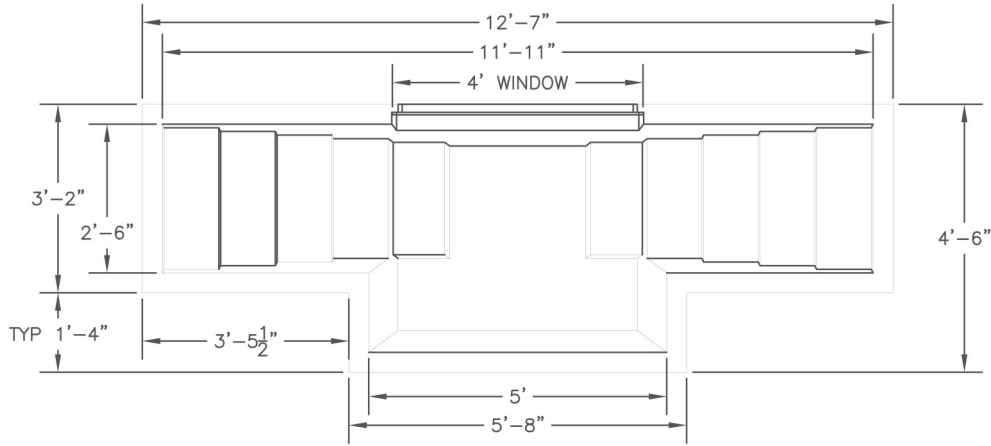


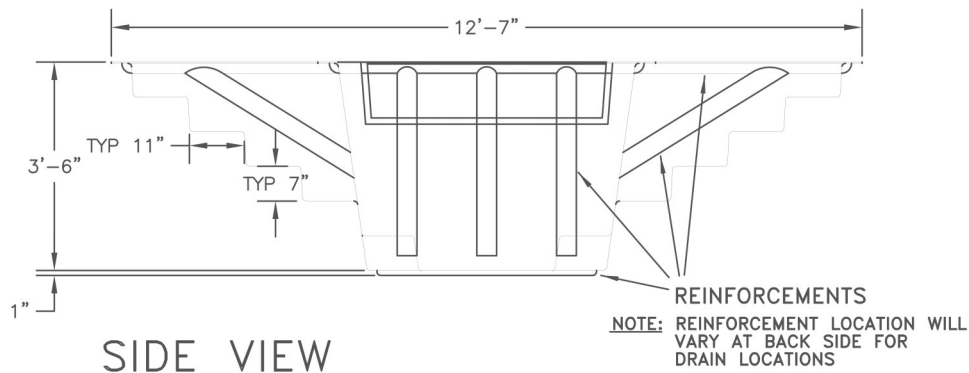
ChurchOutlet.com

Model T2S-WB



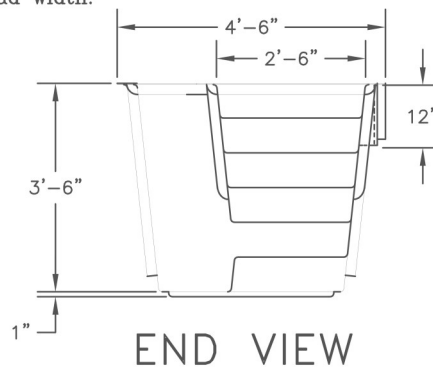
PLAN VIEW

Capacity: 550 gal.



SIDE VIEW

NOTE:
Steps shall conform to nationally accepted model building code requirements with regard to riser height and tread width. Step tread surfaces shall have a raised disk slip-resistant surface. All corners shall be gently rounded for safety.



END VIEW

Installation Notes:
Plumbing holes (drain, heater, etc.) to be located and cut in field by contractor or plumber. Drain should be located in any of the four corners of the tank floor.