

# ChurchOutlet.com

## Model 260

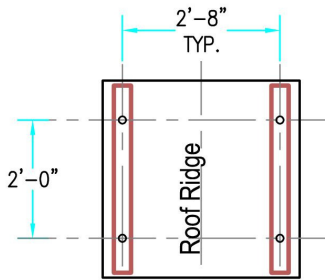
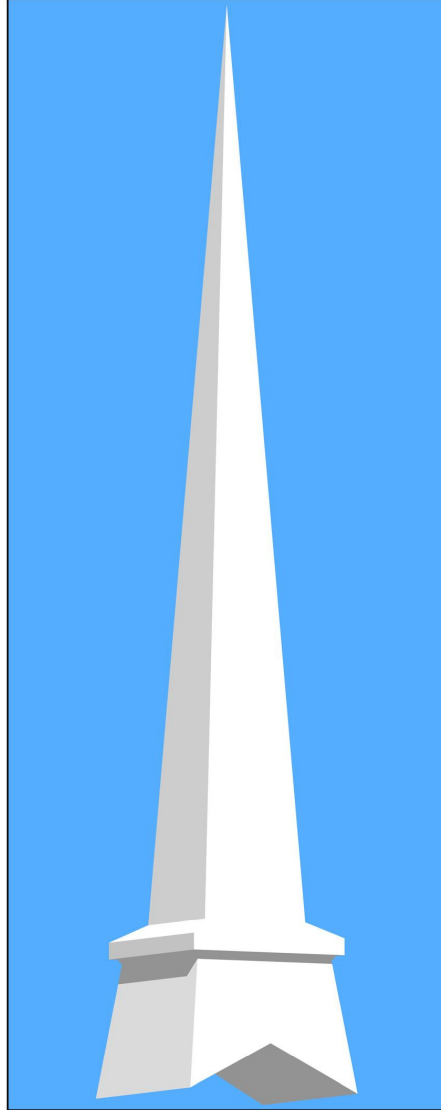
### Steeple Data

Base Width: 3'-4"  
 Steeple Height: 19'-0"  
 Weight: 200 lb.  
 One Piece Steeple unit

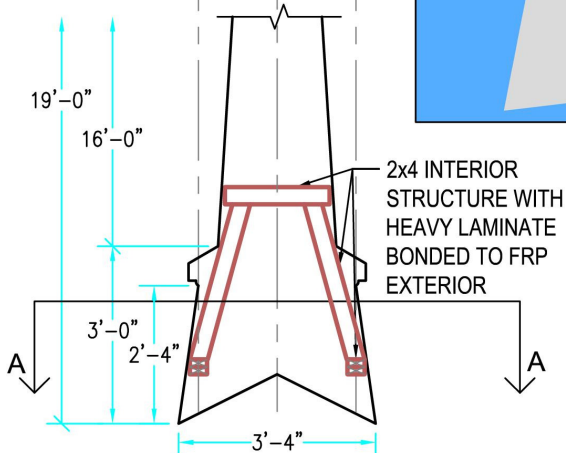
### Available Options:

- 3' or 4' Aluminum Cross
- 8" Ball
- Lightning Protection
- Krinkle-glass Cross cut in to Base of Spire

ALL STEEPLES MUST BE MOUNTED ON A COMPLETED WATERPROOF ROOF SYSTEM AS LONG-TERM INSURANCE AGAINST LEAKAGE .



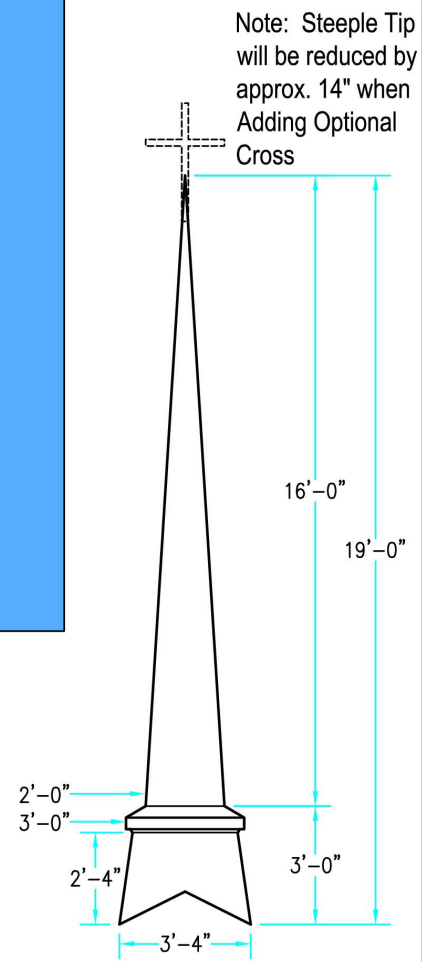
PLAN VIEW A-A



INTERIOR SUPPORT DETAIL

Scale: 3/8" = 1'-0"

3-D VIEW



ELEVATION

Scale: 1/4" = 1'-0"

Drawings are property of Fiberglass Unlimited, Inc.; Dimensions may change slightly to accommodate manufacturing.

800-736-3113 info@churchoutlet.com