

ChurchOutlet.com

Model 270

Steeple Data

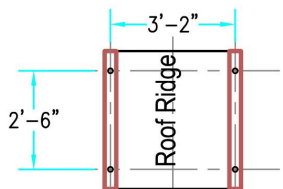
Base Width: 3'-6"
 Steeple Height: 19'-0"
 Weight: 275 lb.
 One Piece Steeple unit

Available Options:

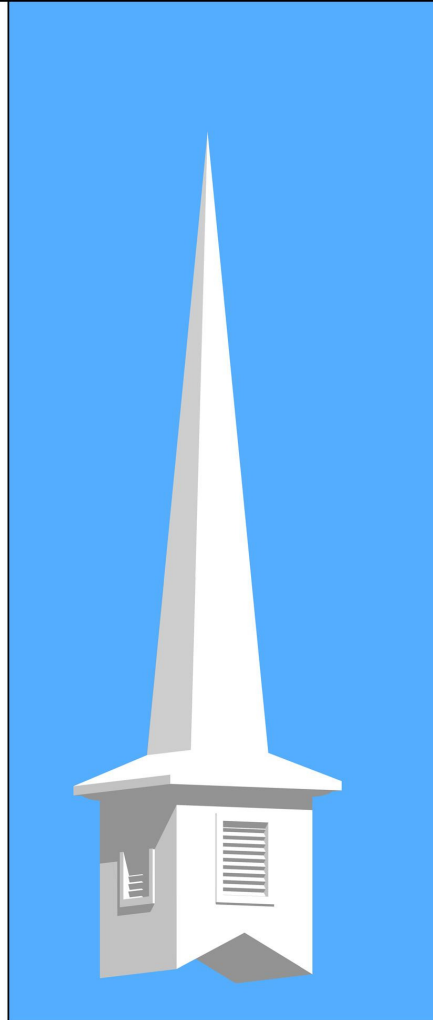
- 3' or 4' Aluminum Cross
- 8" Ball
- Rect. or Round Top Simulated Louvers
- Rect. or Round Top Krinkle-glass Windows
- Lightning Protection

ALL STEEPLES MUST BE MOUNTED ON A COMPLETED WATERPROOF ROOF SYSTEM AS LONG-TERM INSURANCE AGAINST LEAKAGE .

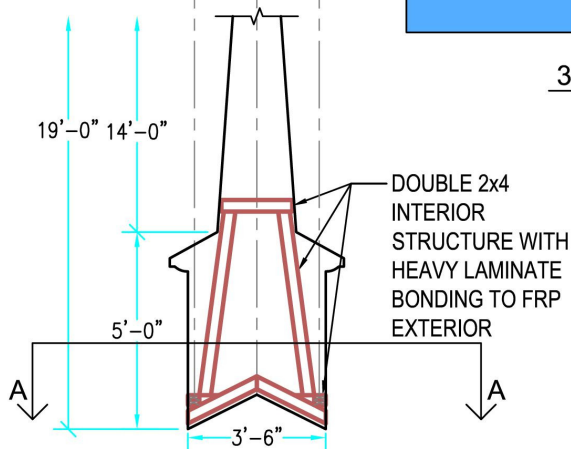
Note: Steeple Tip will be reduced by approx. 14" when Adding Optional Cross



PLAN VIEW A-A

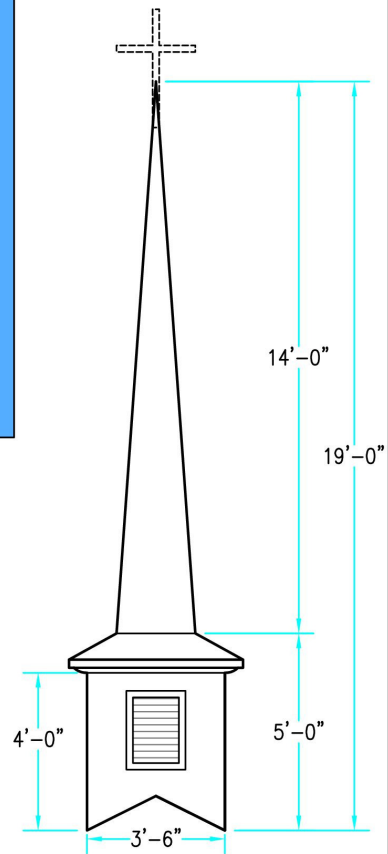


3-D VIEW



INTERIOR SUPPORT DETAIL

Scale: 1/4" = 1'-0"



ELEVATION

Scale: 1/4" = 1'-0"

Drawings are property of Fiberglass Unlimited, Inc.; Dimensions may change slightly to accommodate manufacturing.

800-736-3113 info@churchoutlet.com