

# ChurchOutlet.com

## Model 290

### Steeple Data

Base Width: 5'-0"  
 Steeple Height: 28'-0"  
 Weight: 450 lb.

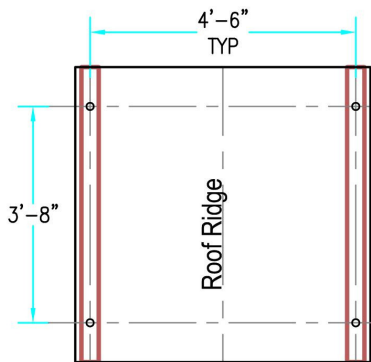
### Available Options:

- 3' or 4' Aluminum Cross
- 8" Ball
- Lightning Protection

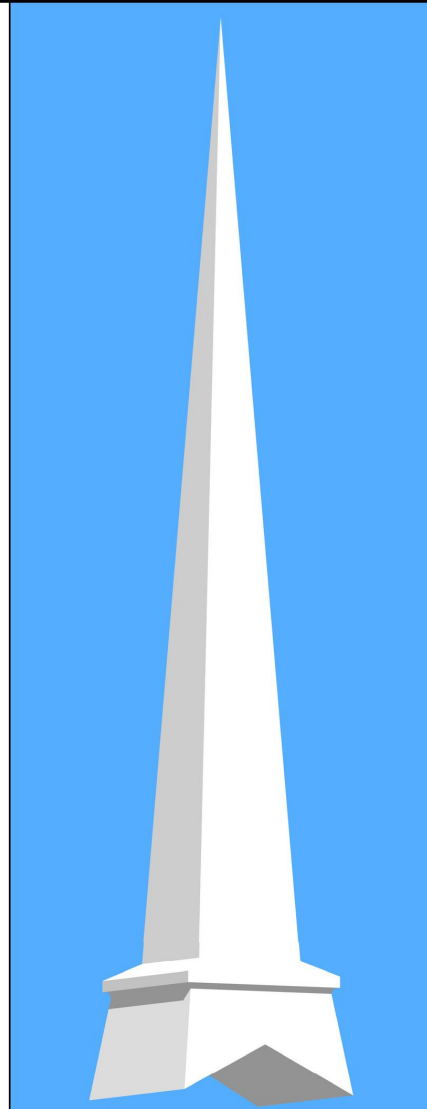
ALL STEEPLES MUST BE MOUNTED ON A COMPLETED WATERPROOF ROOF SYSTEM AS LONG-TERM INSURANCE AGAINST LEAKAGE .



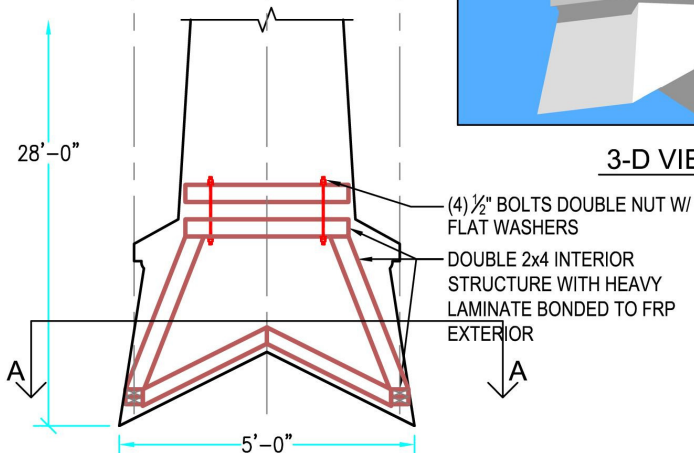
Note: Steeple Tip will be reduced by approx. 14" when Adding Optional Cross



PLAN VIEW A-A

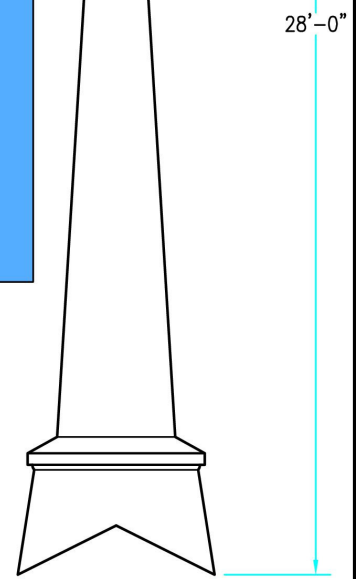


3-D VIEW



INTERIOR SUPPORT DETAIL

Scale: 1/8" = 1'-0"



ELEVATION

Scale: 1/8" = 1'-0"

Drawings are property of Fiberglass Unlimited, Inc.; Dimensions may change slightly to accommodate manufacturing.