

ChurchOutlet.com

Model 330

Steeple Data

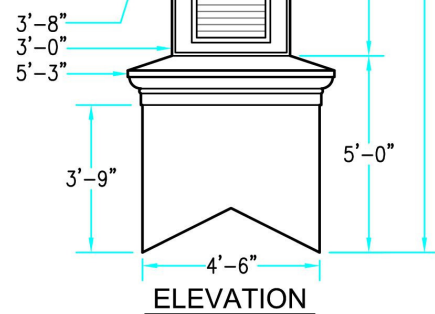
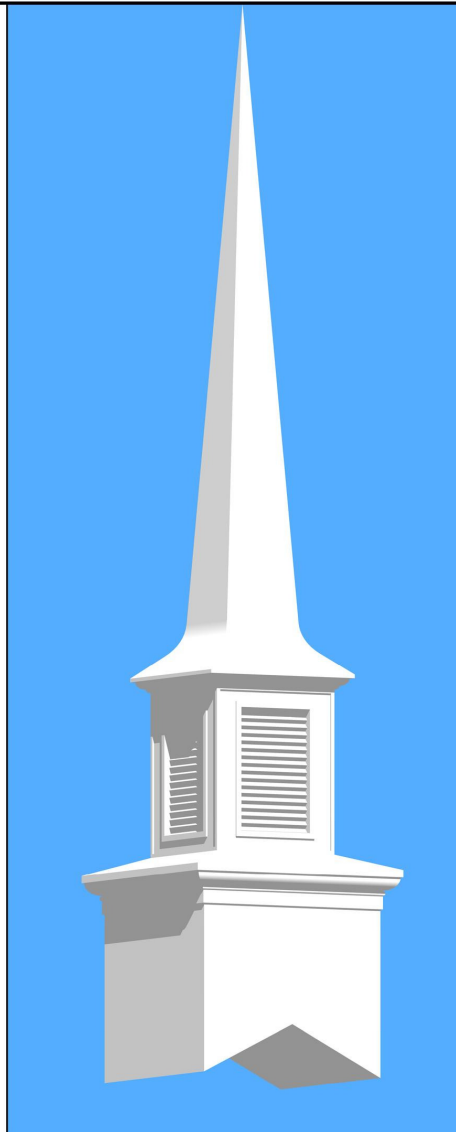
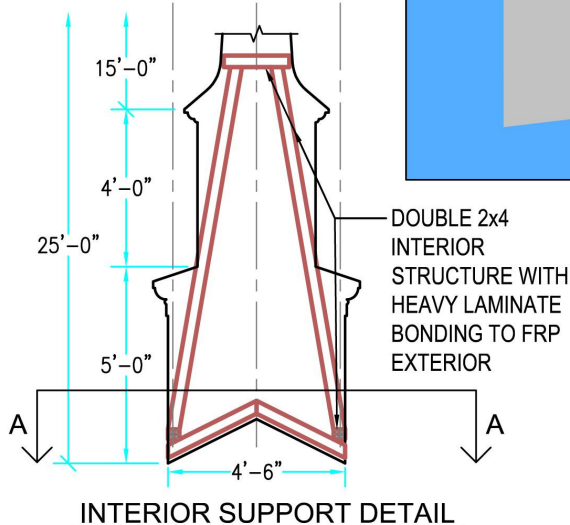
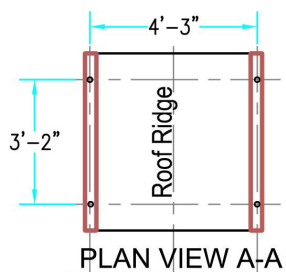
Base Width: 4'-6"
 Steeple Height: 24'-0"
 Weight: 600 lb.
 One Piece Steeple unit

Available Options:

- 3' or 4' Aluminum Cross
- Lightning Protection
- Simulated Louvers
- Krinkleglass Windows
- Cross "K" glass Windows
- Round Venting Louvers In Base

ALL STEEPLES MUST BE MOUNTED ON A COMPLETED WATERPROOF ROOF SYSTEM AS LONG-TERM INSURANCE AGAINST LEAKAGE .

Note: Steeple Tip will be reduced by approx. 14" when Adding Optional Cross



Drawings are property of Fiberglass Unlimited, Inc.; Dimensions may change slightly to accommodate manufacturing.

800-736-3113 info@churchoutlet.com