

ChurchOutlet.com

Model 346

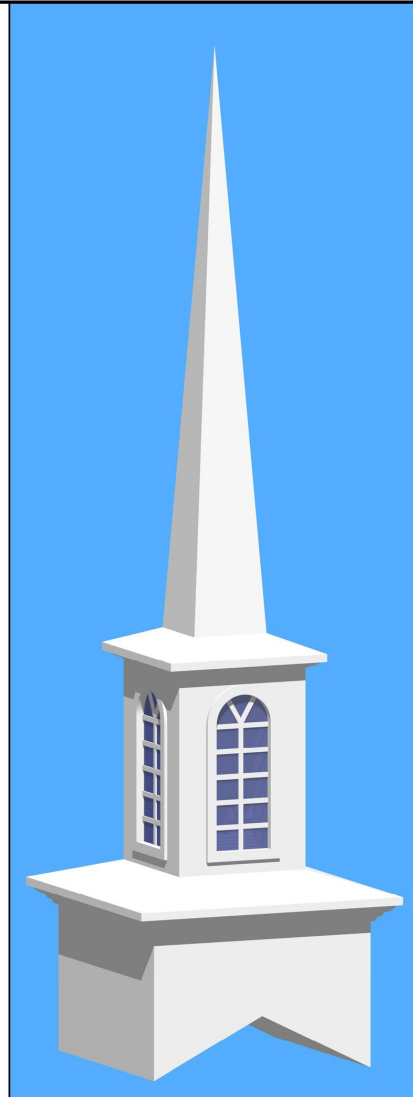
Steeple Data

Base Width: 6'-0"
 Steeple Height: 26'-0"
 Weight: 825 lb.
 Two-piece Steeple unit

Available Options:

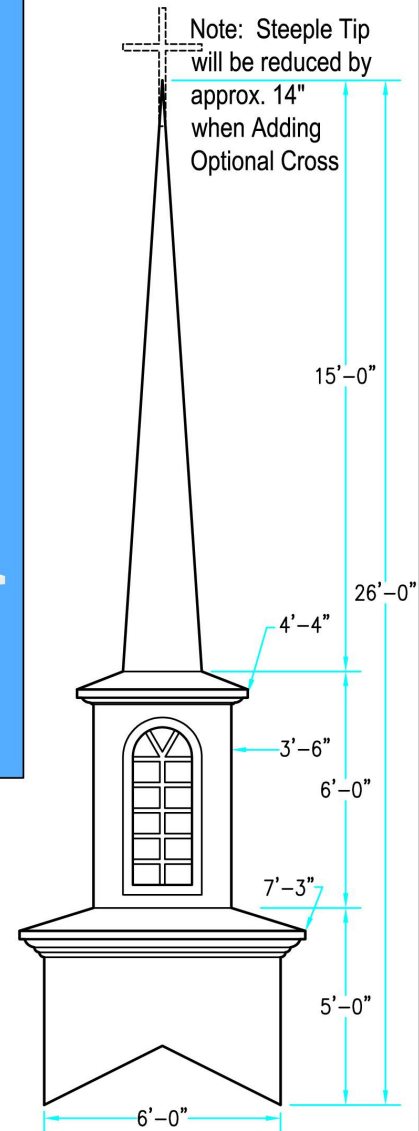
- 3' or 4' Aluminum Cross
- 8" Ball
- Simulated Louvers
- Krinklglas Windows
- Lightning Protection
- Round Louvers In Base

ALL STEEPLES MUST BE MOUNTED ON A COMPLETED WATERPROOF ROOF SYSTEM AS LONG-TERM INSURANCE AGAINST LEAKAGE .

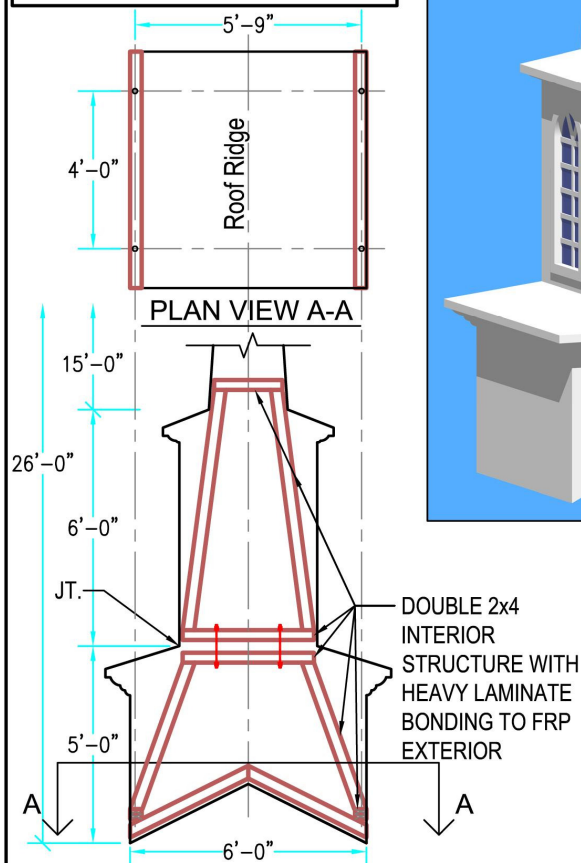


3-D VIEW

Note: Steeple Tip will be reduced by approx. 14" when Adding Optional Cross



ELEVATION



INTERIOR SUPPORT DETAIL

Scale: 1/2" = 1'-0"

Scale: 1/2" = 1'-0"

Drawings are property of Fiberglass Unlimited, Inc.; Dimensions may change slightly to accommodate manufacturing.