

ChurchOutlet.com

Model 370

Steeple Data

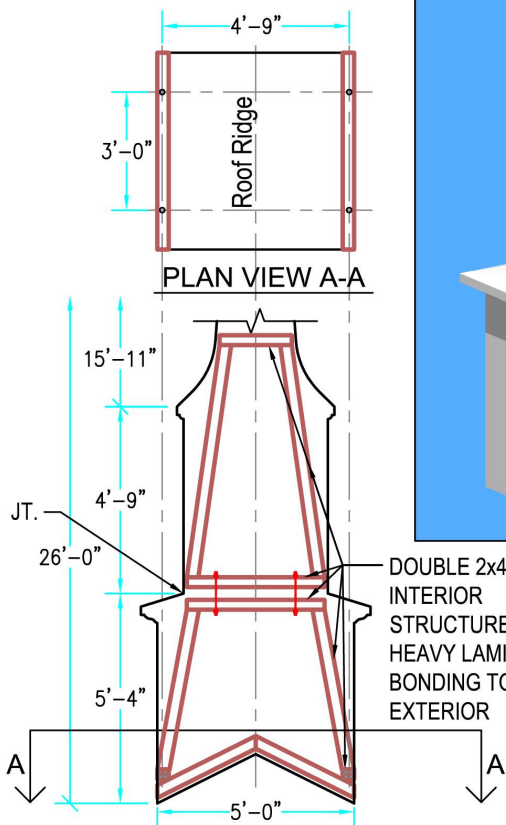
Base Width: 5'-0"
 Steeple Height: 26'-0"
 Weight: 675 lb.
 Two-piece Steeple unit

Available Options:

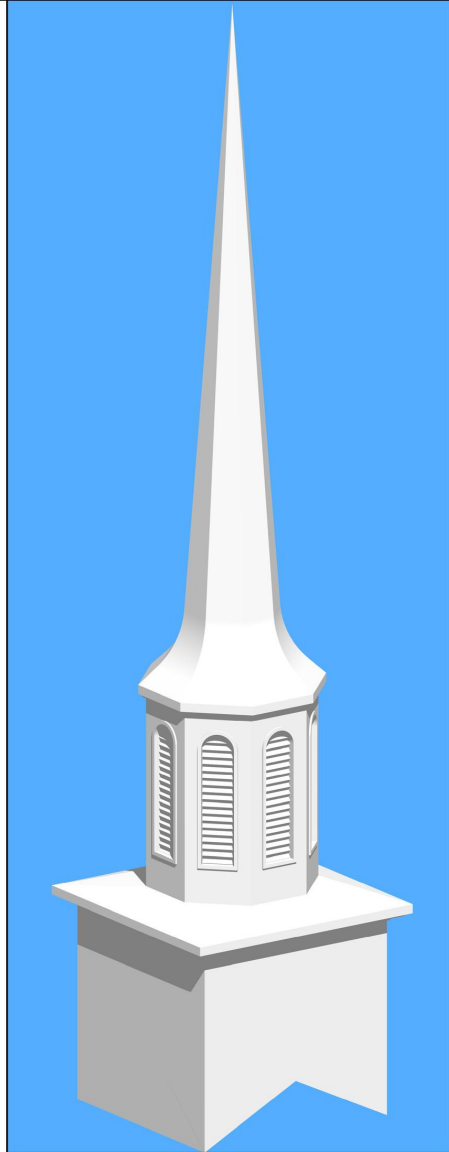
- 3' or 4' Aluminum Cross
- 8" Ball
- Rect. or Round top: Simulated Louvers or "K" glass Windows
- Lightning Protection
- Round Louvers In Base

ALL STEEPLES MUST BE MOUNTED ON A COMPLETED WATERPROOF ROOF SYSTEM AS LONG-TERM INSURANCE AGAINST LEAKAGE .

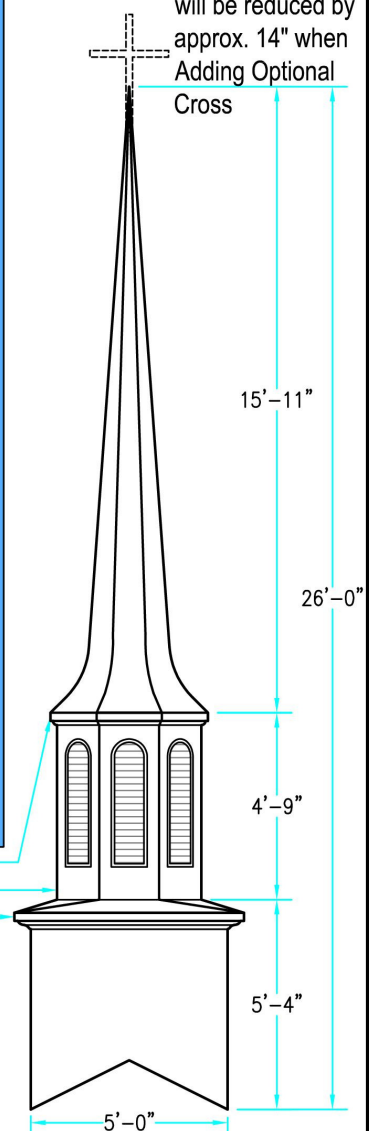
Note: Steeple Tip will be reduced by approx. 14" when Adding Optional Cross



INTERIOR SUPPORT DETAIL
 Scale: 1/2" = 1'-0"



3-D VIEW



ELEVATION
 Scale: 1/2" = 1'-0"

Drawings are property of Fiberglass Unlimited, Inc.; Dimensions may change slightly to accommodate manufacturing.