

# ChurchOutlet.com

## Model 390

### Steeple Data

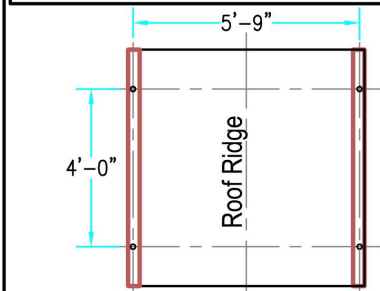
Base Width: 6'-0"  
 Steeple Height: 28'-6"  
 Weight: 850 lb.  
 Two-piece Steeple unit

### Available Options:

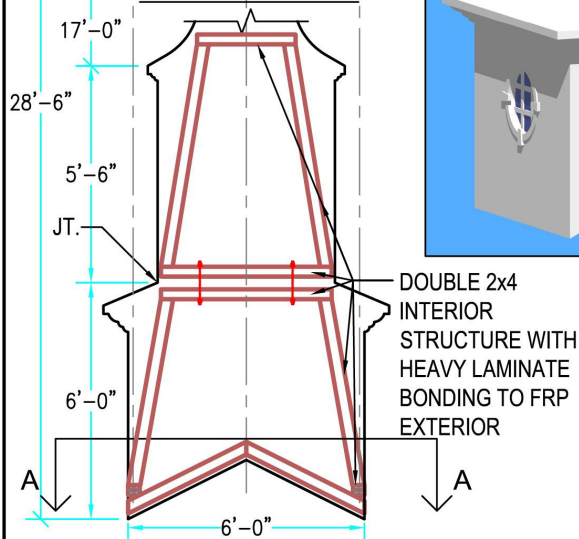
- 3' or 4' Aluminum Cross
- Lightning Protection
- Simulated Louvers
- Krinkleglass Windows
- Round Keyblock Windows or
- Round Venting Louvers In Base

ALL STEEPLES MUST BE MOUNTED ON A COMPLETED WATERPROOF ROOF SYSTEM AS LONG-TERM INSURANCE AGAINST LEAKAGE .

Note: Steeple Tip will be reduced by approx. 14" when Adding Optional Cross

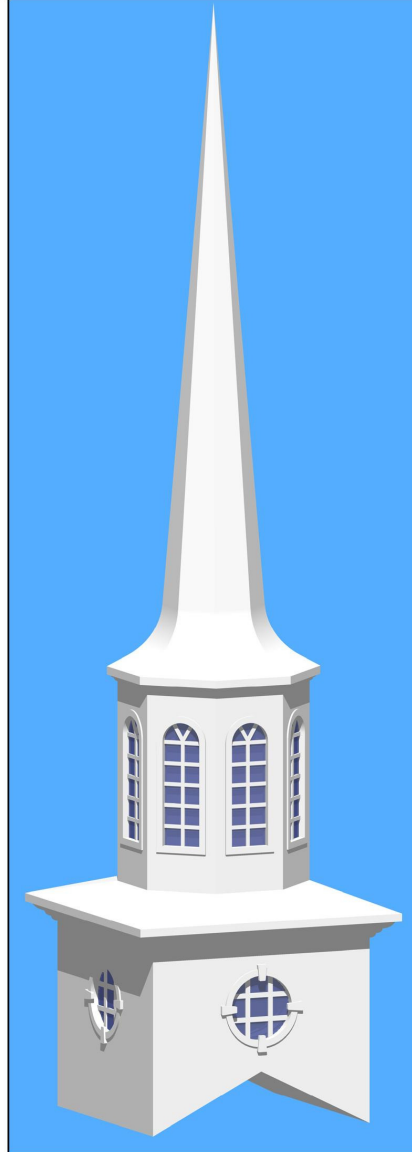


PLAN VIEW A-A

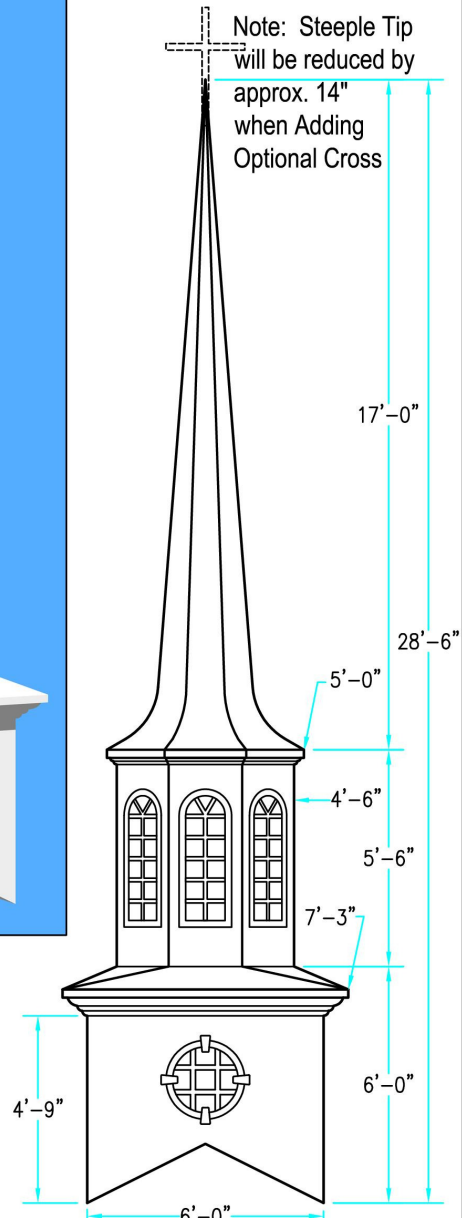


INTERIOR SUPPORT DETAIL

Scale: 1/2" = 1'-0"



3-D VIEW



ELEVATION

Scale: 1/2" = 1'-0"

Drawings are property of Fiberglass Unlimited, Inc.; Dimensions may change slightly to accommodate manufacturing.