

ChurchOutlet.com

Model 440

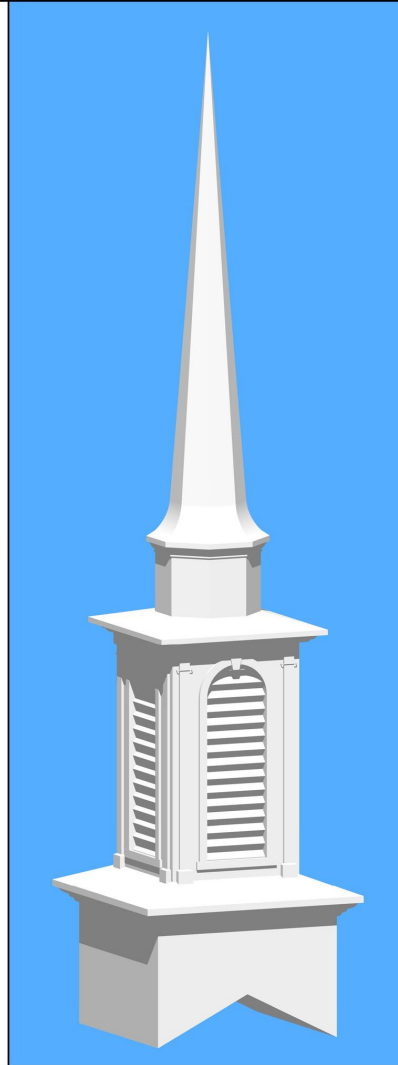
Steeple Data

Base Width: 6'-0"
 Steeple Height: 31'-0"
 Weight: 1175 lb.
 Three-piece Steeple unit

Available Options:

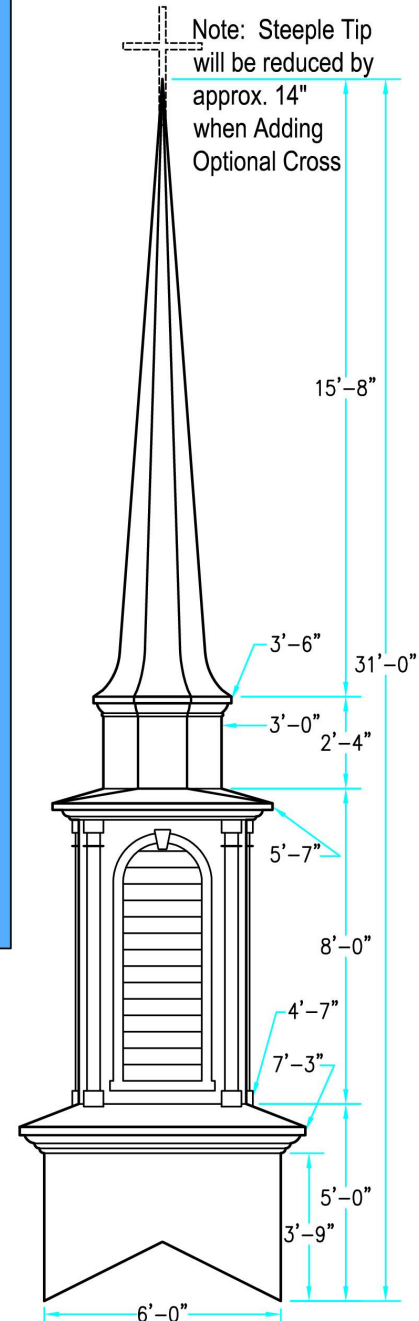
- 3' or 4' Aluminum Cross
- 8" Ball
- Lightning Protection
- Round Top Simulated Louvers
- Krinkleglass Windows
- Various accessories available for Spire and Base

ALL STEEPLES MUST BE MOUNTED ON A COMPLETED WATERPROOF ROOF SYSTEM AS LONG-TERM INSURANCE AGAINST LEAKAGE .



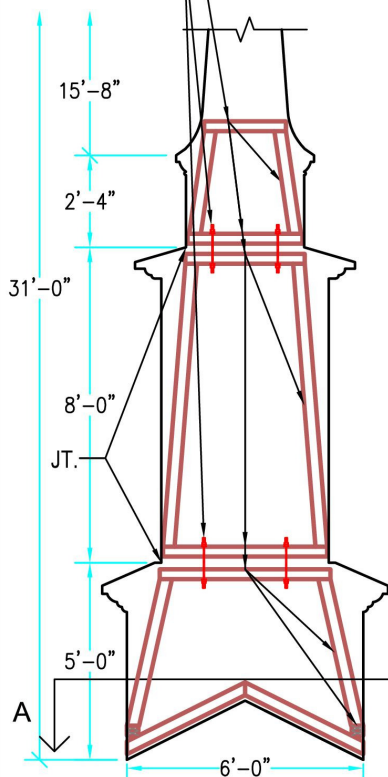
3-D VIEW

Note: Steeple Tip will be reduced by approx. 14" when Adding Optional Cross



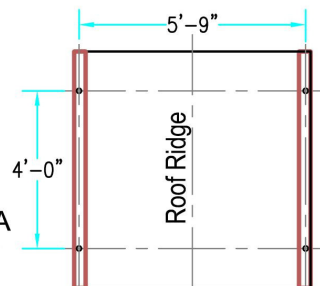
ELEVATION

3/4" all thread with washers & double nuts
 DOUBLE 2x4 INTERIOR STRUCTURE WITH HEAVY LAMINATE BONDING TO FRP EXTERIOR



INTERIOR SUPPORT DETAIL

Scale: 1/2" = 1'-0"



PLAN VIEW A-A

Scale: 1/2" = 1'-0"

Drawings are property of Fiberglass Unlimited, Inc.; Dimensions may change slightly to accommodate manufacturing.