

ChurchOutlet.com

Model 455

Steeple Data

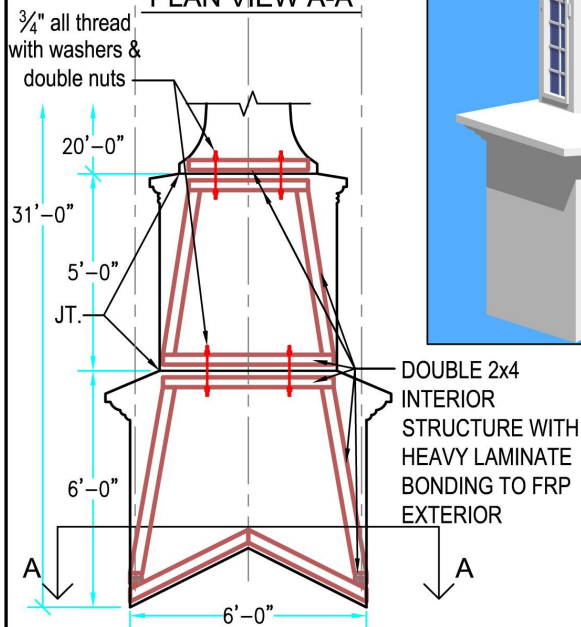
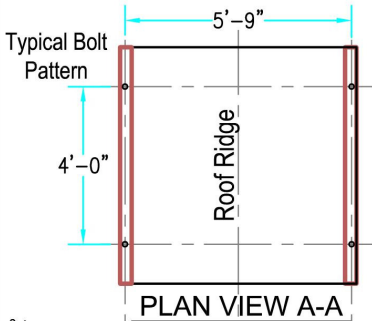
Base Width: 6'-0"
 Steeple Height: 31'-0"
 Weight: 1100 lb.
 Three-piece Steeple unit

Available Options:

- 3' or 4' Aluminum Cross
- Lightning Protection
- Krinkleglass Windows
- Round Venting Louvers

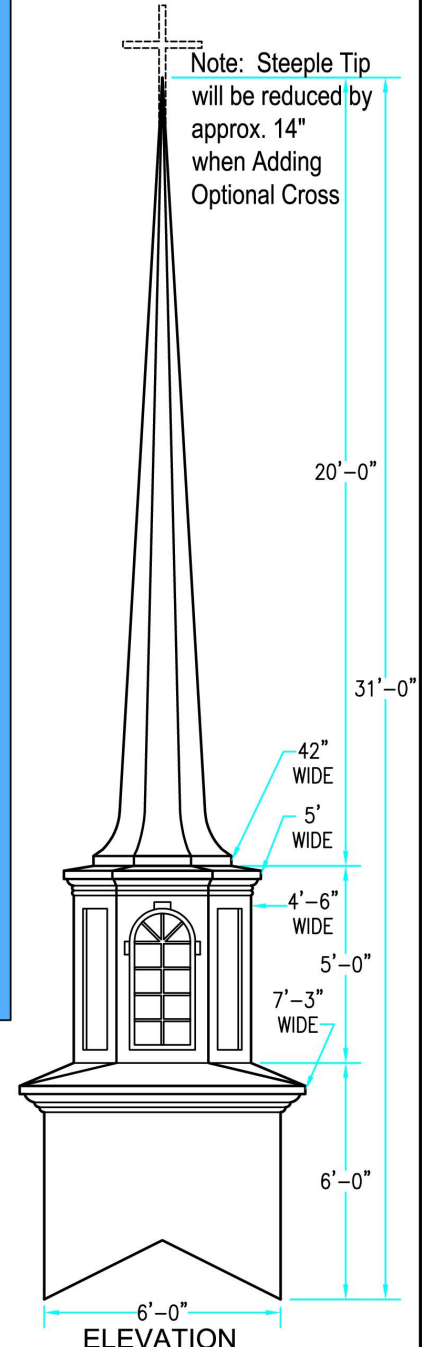
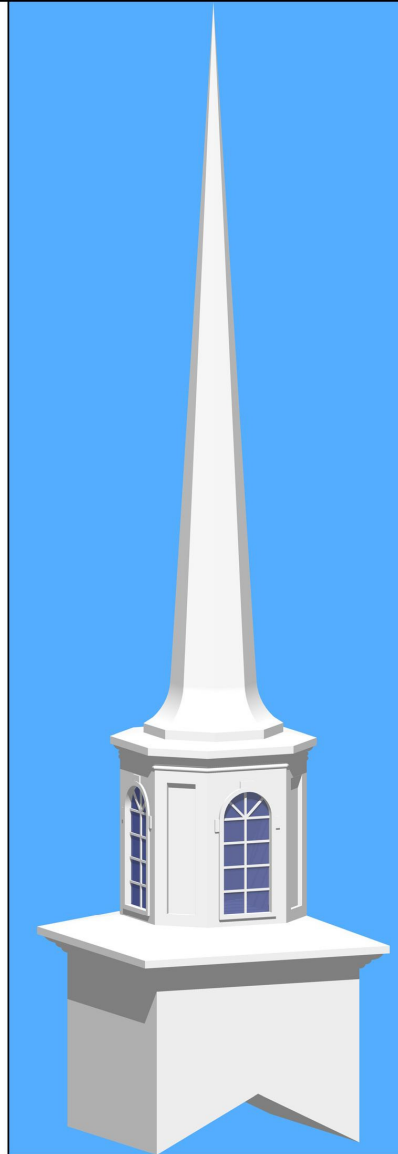
ALL STEEPLES MUST BE MOUNTED ON A COMPLETED WATERPROOF ROOF SYSTEM AS LONG-TERM INSURANCE AGAINST LEAKAGE .

Note: Steeple Tip will be reduced by approx. 14" when Adding Optional Cross



INTERIOR SUPPORT DETAIL

Scale: 1/2" = 1'-0"



Scale: 1/2" = 1'-0"

Drawings are property of Fiberglass Unlimited, Inc.; Dimensions may change slightly to accommodate manufacturing.