

# ChurchOutlet.com

## Model 465-S

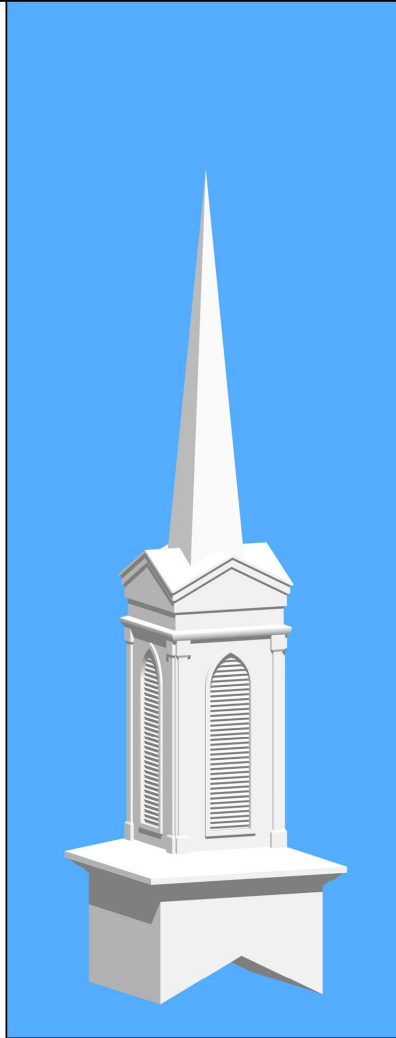
### Steeple Data

Base Width: 6'-0"  
 Steeple Height: 28'-0"  
 Weight: 1200 lb.  
 Three-piece Steeple unit

### Available Options:

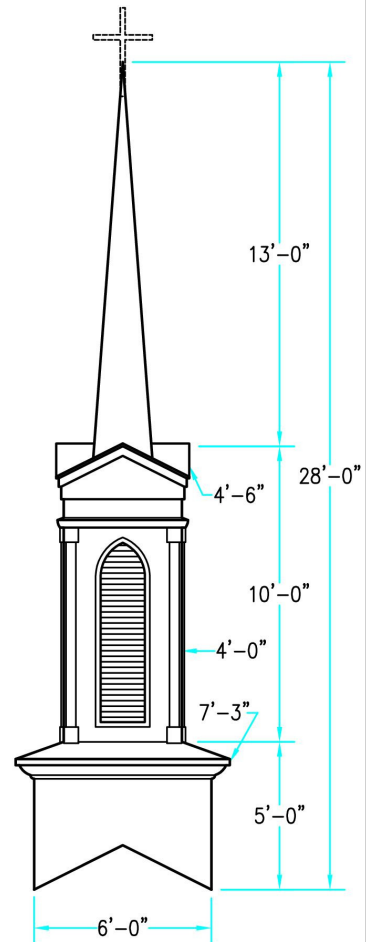
- 3' or 4' Aluminum Cross
- 8" Ball
- Gothic Simulated Louvers
- Gothic Krinklglas Windows
- Lightning Protection

ALL STEEPLES MUST BE MOUNTED ON A COMPLETED WATERPROOF ROOF SYSTEM AS LONG-TERM INSURANCE AGAINST LEAKAGE .



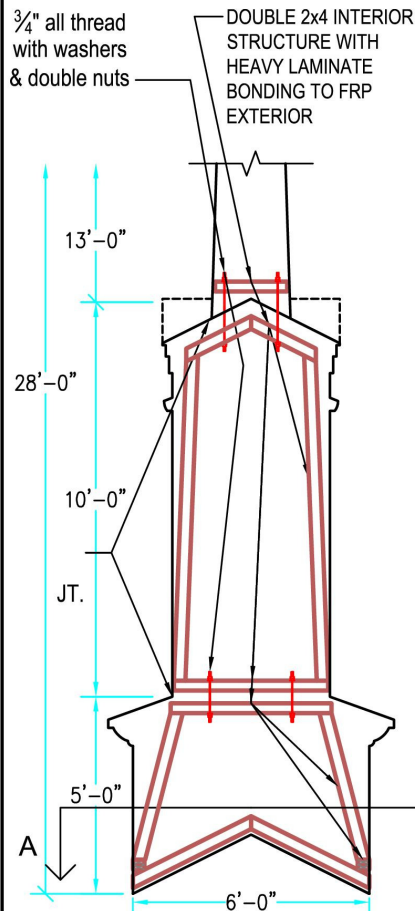
3-D VIEW

Note: Steeple Tip will be reduced by approx. 14" when Adding Optional Cross



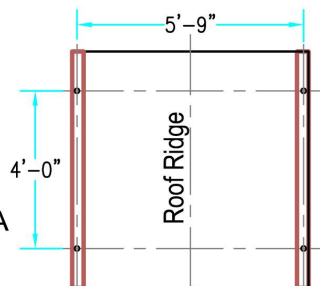
ELEVATION

Scale: 3/8" = 1'-0"



INTERIOR SUPPORT DETAIL

Scale: 1/4" = 1'-0"



PLAN VIEW A-A

Scale: 1/4" = 1'-0"

Drawings are property of Fiberglass Unlimited, Inc.; Dimensions may change slightly to accommodate manufacturing.