

# ChurchOutlet.com

## Model 468

### Steeple Data

Base Width: 6'-0"  
 Steeple Height: 32'-0"  
 Weight: 1050 lb.  
 Three-piece Steeple unit

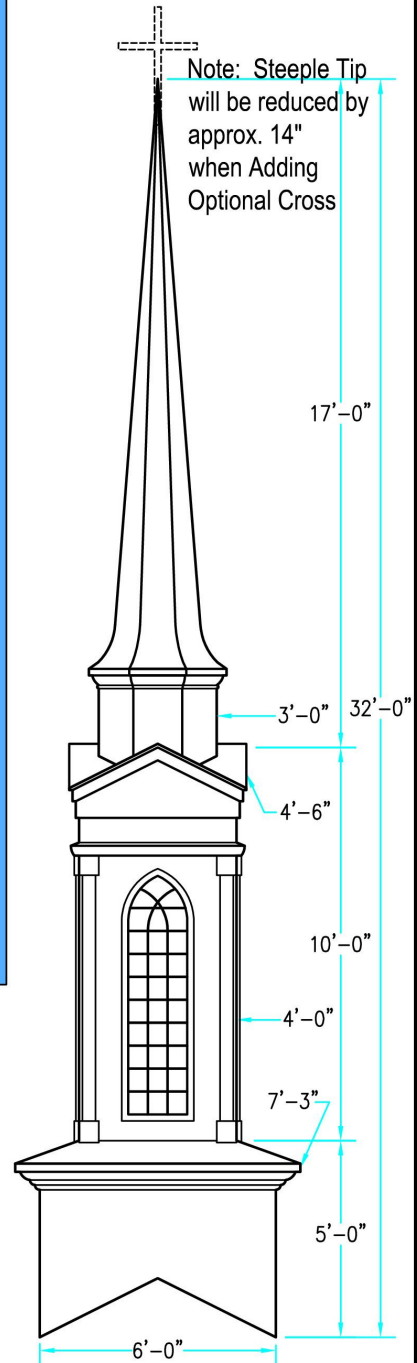
### Available Options:

- 3' or 4' Aluminum Cross
- 8" Ball
- Gothic Simulated Louvers
- Gothic Krinklglas Windows
- Lightning Protection

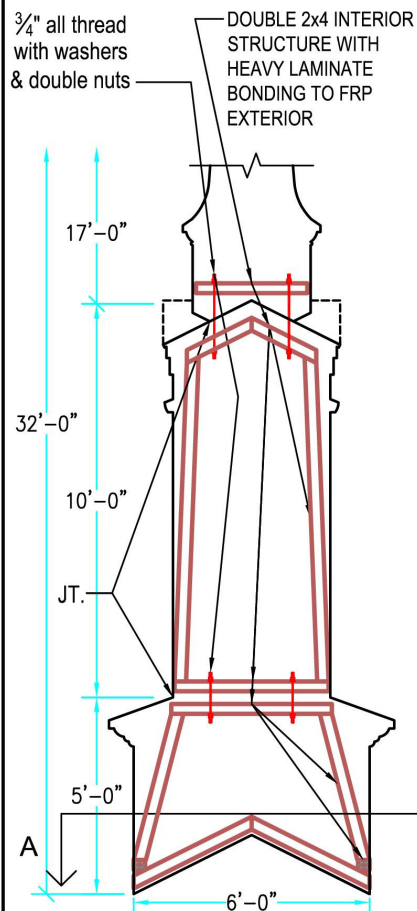
ALL STEEPLES MUST BE MOUNTED ON A COMPLETED WATERPROOF ROOF SYSTEM AS LONG-TERM INSURANCE AGAINST LEAKAGE .



3-D VIEW

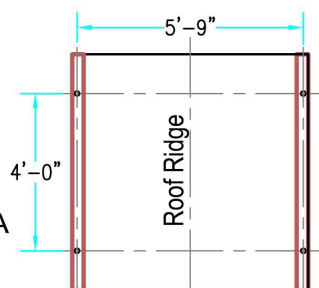


ELEVATION



INTERIOR SUPPORT DETAIL

Scale: 1/4" = 1'-0"



PLAN VIEW A-A

Scale: 1/4" = 1'-0"

Drawings are property of Fiberglass Unlimited, Inc.; Dimensions may change slightly to accommodate manufacturing.

800-736-3113 info@churchoutlet.com