

# ChurchOutlet.com

## Model 470

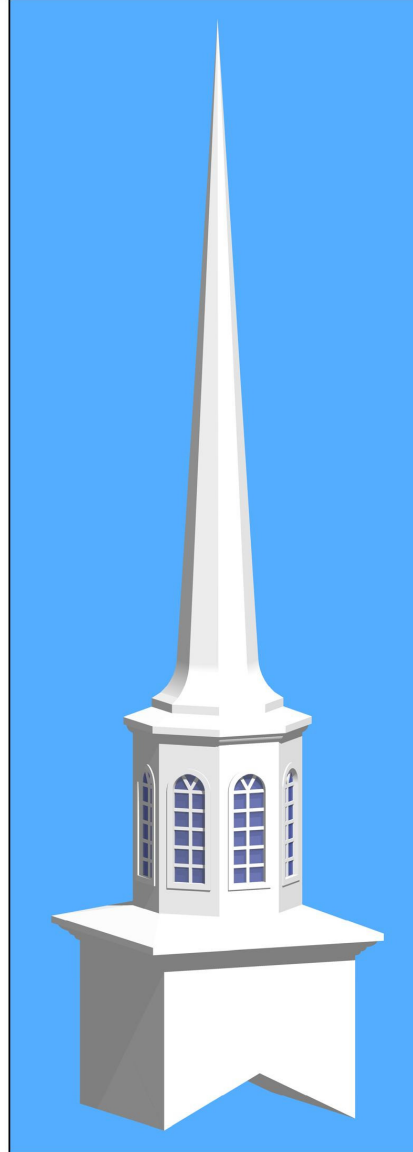
### Steeple Data

Base Width: 72"  
 Steeple Height: 32'-0"  
 Weight: 1250 lb.  
 Three-piece Steeple unit

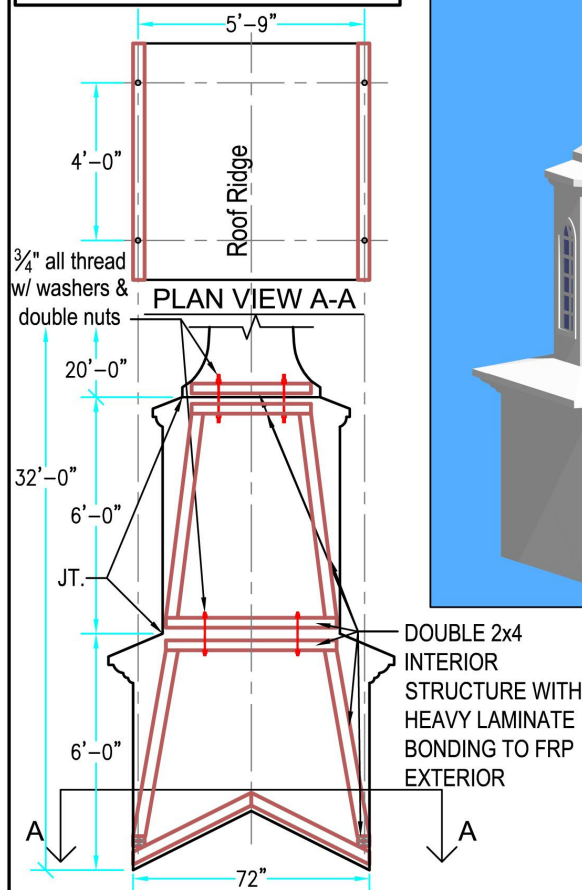
### Available Options:

- 3' or 4' Aluminum Cross
- 8" Ball
- Lightning Protection
- Round Top Simulated Louvers
- Krinkleglass Windows
- Various accessories available for Base

ALL STEEPLES MUST BE MOUNTED ON A COMPLETED WATERPROOF ROOF SYSTEM AS LONG-TERM INSURANCE AGAINST LEAKAGE .

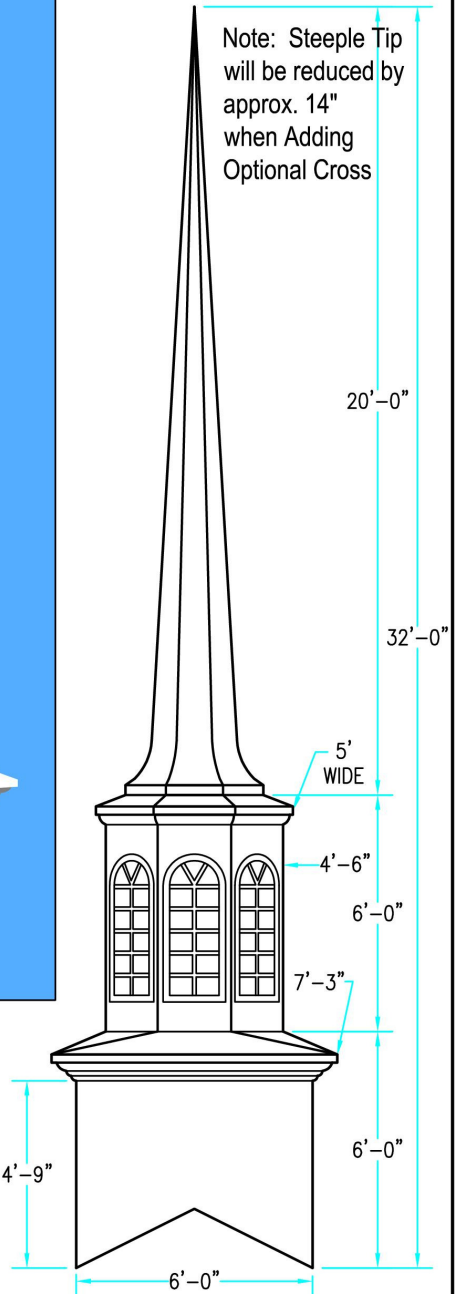


3-D VIEW



INTERIOR SUPPORT DETAIL

Scale: 1/2" = 1'-0"



ELEVATION

Scale: 1/2" = 1'-0"

Drawings are property of Fiberglass Unlimited, Inc.; Dimensions may change slightly to accommodate manufacturing.