

# ChurchOutlet.com

## Model 540

### Steeple Data

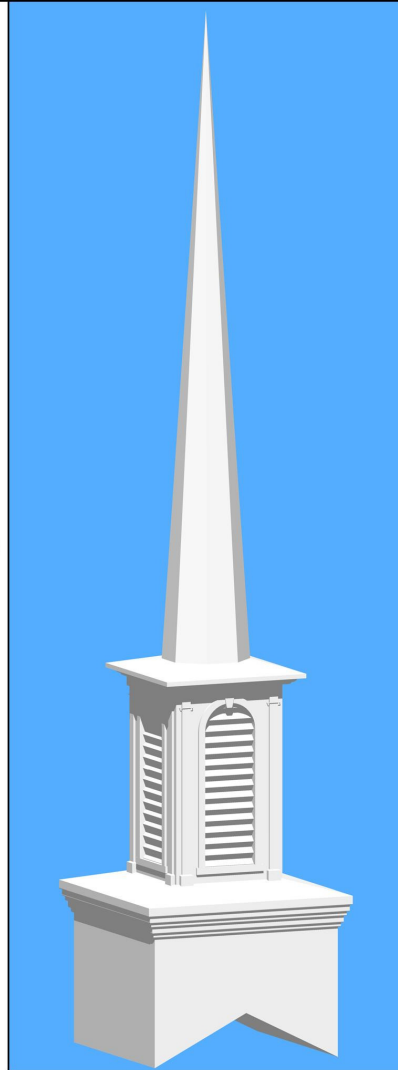
Base Width: 88"  
 Steeple Height: 38'-6"  
 Weight: 1500 lb.  
 Three-piece Steeple unit

### Available Options:

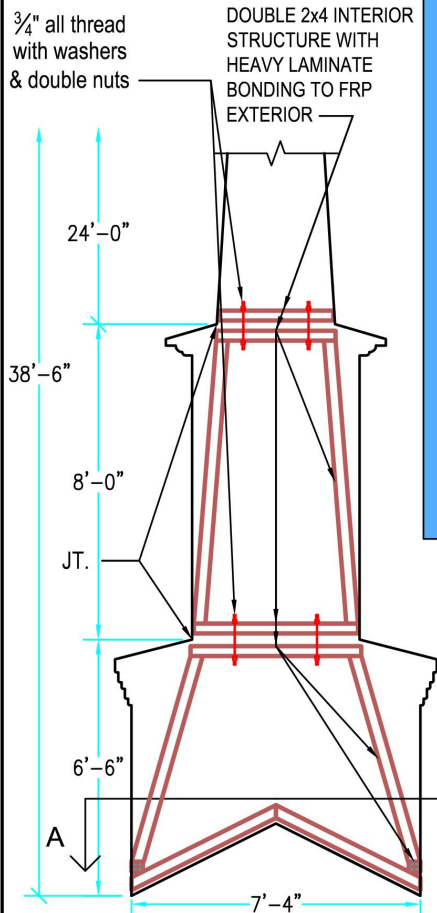
- 3' or 4' Aluminum Cross
- 8" Ball
- Lightning Protection
- Round Top Simulated Louvers
- Krinkleglass Windows
- Various accessories available for Spire and Base

ALL STEEPLES MUST BE MOUNTED ON A COMPLETED WATERPROOF ROOF SYSTEM AS LONG-TERM INSURANCE AGAINST LEAKAGE .

Note: Steeple Tip will be reduced by approx. 14" when Adding Optional Cross

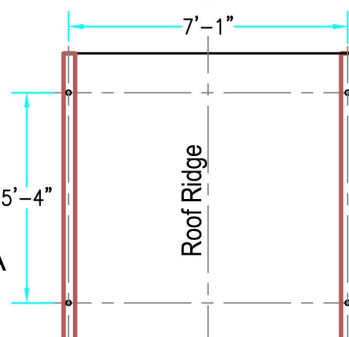


3-D VIEW



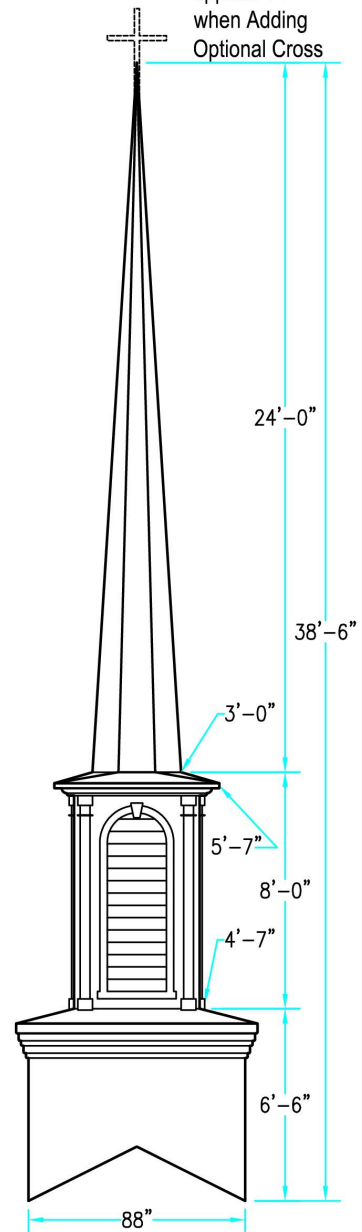
INTERIOR SUPPORT DETAIL

Scale:  $\frac{1}{4}'' = 1'-0''$



PLAN VIEW A-A

Scale:  $\frac{1}{4}'' = 1'-0''$



ELEVATION

Scale:  $\frac{3}{16}'' = 1'-0''$

Drawings are property of Fiberglass Unlimited, Inc.; Dimensions may change slightly to accommodate manufacturing.

800-736-3113 info@churchoutlet.com