

ChurchOutlet.com

Model C110

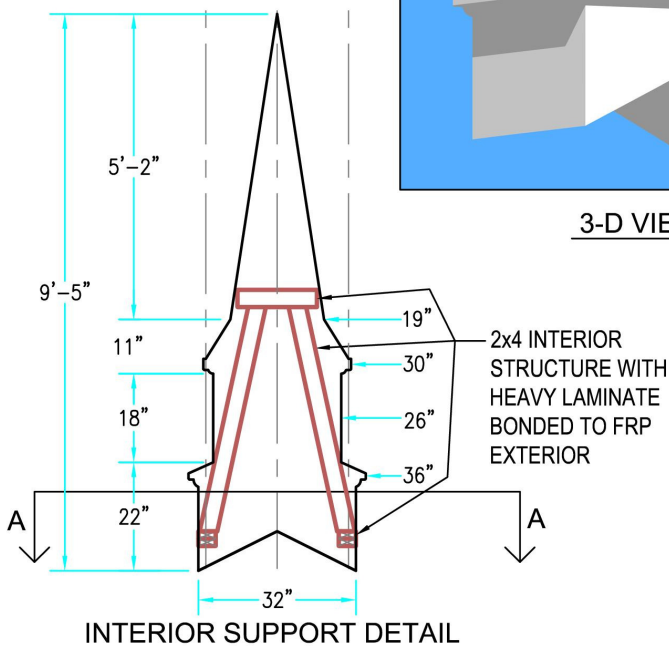
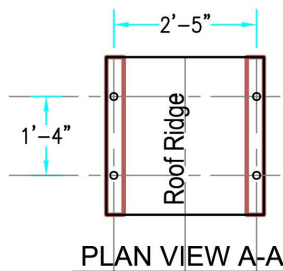
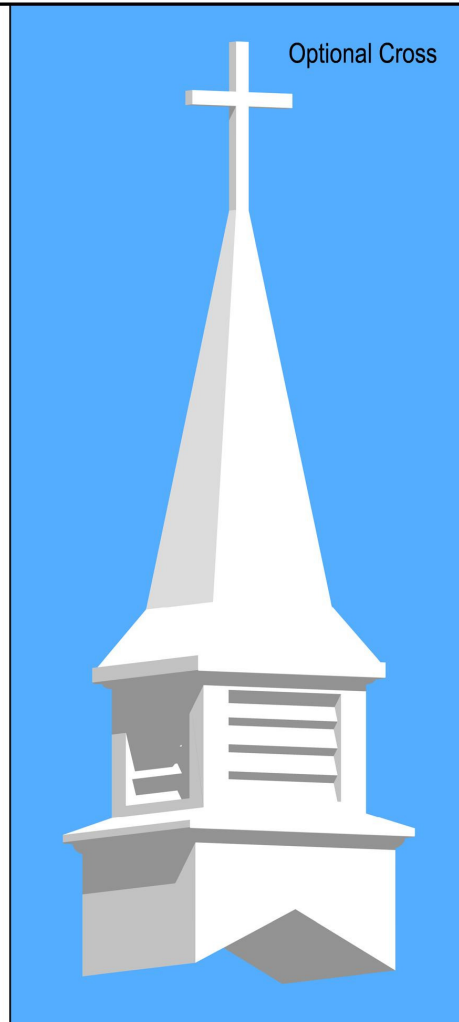
Steeple Data

Base Width: 2'-8"
 Steeple Height: 9'-5"
 Weight: 150 lb.
 One Piece Steeple unit

Available Options:

- 2' or 3' Aluminum Cross
- Lightning Protection

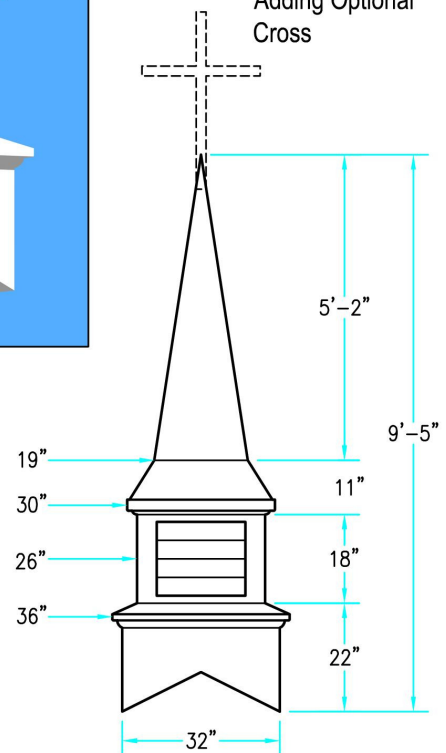
ALL STEEPLES MUST BE MOUNTED ON A COMPLETED WATERPROOF ROOF SYSTEM AS LONG-TERM INSURANCE AGAINST LEAKAGE .



INTERIOR SUPPORT DETAIL

Scale: 3/8" = 1'-0"

Note: Steeple Tip will be reduced by approx. 14" when Adding Optional Cross



ELEVATION

Scale: 3/8" = 1'-0"

Drawings are property of Fiberglass Unlimited, Inc.; Dimensions may change slightly to accommodate manufacturing.

800-736-3113 info@churchoutlet.com